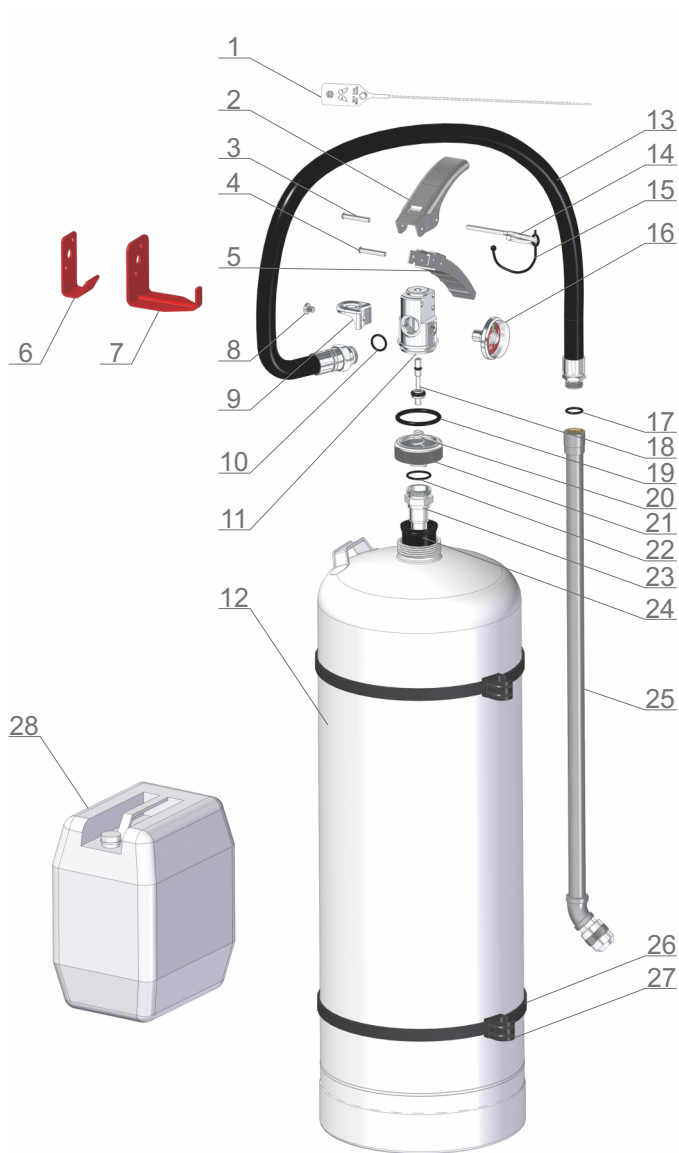


VICTORY FIRE SPARE PARTS

WATER MIST Models

WM2.5GAL / WM6L

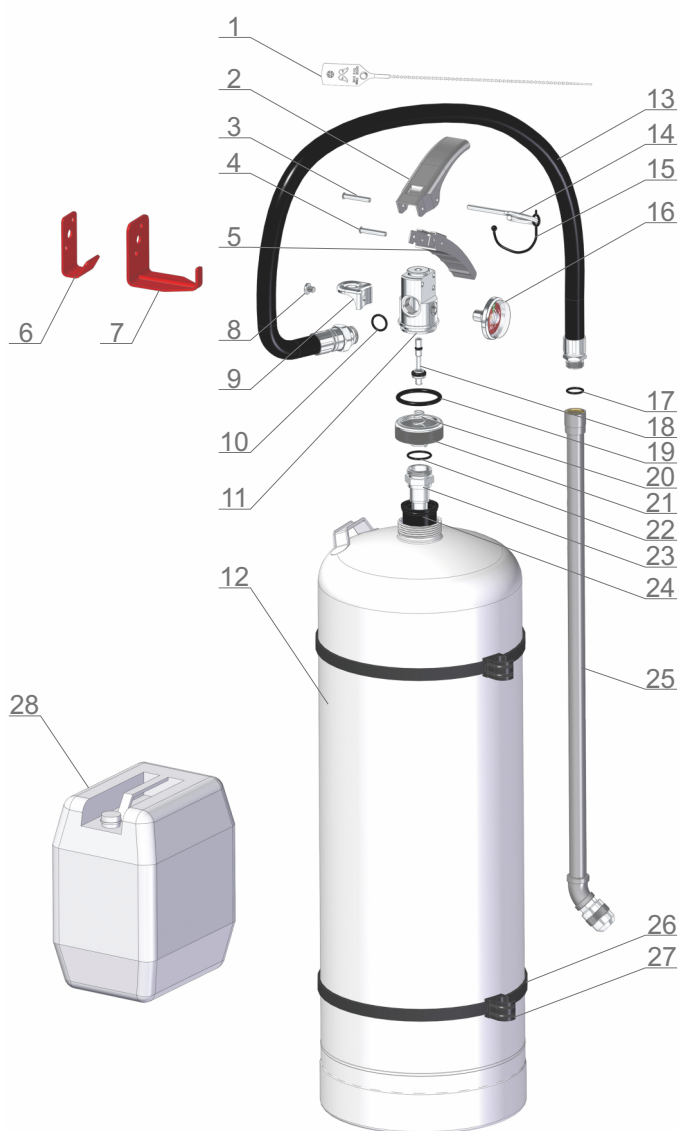


No.	Product Code	Description	Model	
			WM2.5GAL	WM6L
1	0714025	Seal	X	X
2	0202118	Lever	X	X
3	0204029	Rivet $\phi 4 \times 25.5$ mm	X	X
4	0204057	Rivet $\phi 4 \times 24.5$ mm	X	X
5	0203089	Carry Handle	X	X
6	070200010	Bracket	X	X
7	070200007	Bracket	X	X
8	0715038	Screw	X	X
9	0715037	Hanging Loop	X	X
10	020601096	O Ring $\phi 12.42 \times \phi 1.78$	X	X
11	020504045	Valve Body	X	X
12	050100093	Cylinder	X	
	050100242	Cylinder		X
13	30290354	Hose Assembly	X	X
14	30420051	Safety Pin	X	X
15	0210001	Chain/Tether	X	X
16	040332	Pressure Gauge	X	X
17	020601096	O Ring $\phi 12.42 \times \phi 1.78$	X	X
18	0220148	Valve Stem Assembly	X	X
19	020603009	O Ring $\phi 33.63 \times \phi 3.53$	X	X
20	020701040	Spring	X	X
21	0234004	Ring Nut	X	X
22	020603012	O Ring $\phi 18.77 \times \phi 1.78$	X	X
23	30310307	Dip Tube Assembly	X	
	30310308	Dip Tube Assembly		X
24	2012029	Anti-overfill Tube	X	X
25	30920359	Spray Rod Assembly	X	X
26	071118	Strap X2	X	X
27	30220013	Hose Catch X2	X	X
28	10010194	Deionized Water Charge (Conductivity ≤ 1 us/cm)	X	X

VICTORY FIRE SPARE PARTS

WATER MIST

Model WM2.5GAL

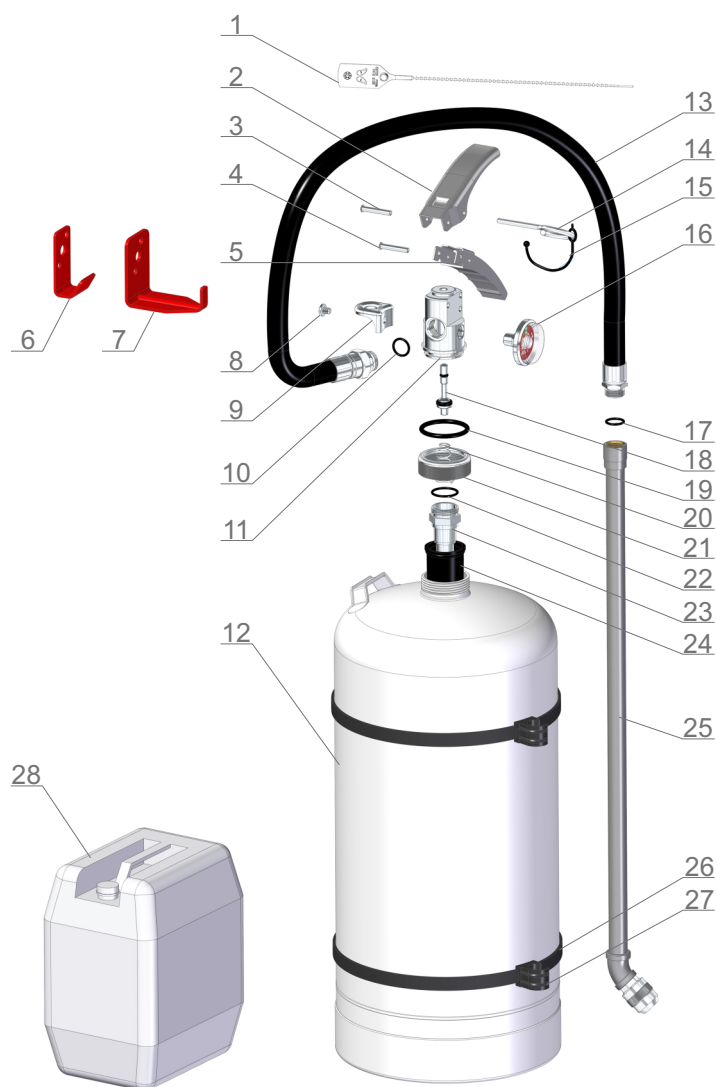


No.	Product Code	Description
1	0714025	Seal
2	0202118	Lever
3	0204029	Rivet $\phi 4 \times 25.5\text{mm}$
4	0204057	Rivet $\phi 4 \times 24.5\text{mm}$
5	0203089	Carry Handle
6	070200010	Bracket
7	070200007	Bracket
8	0715038	Screw
9	0715037	Hanging Loop
10	020601096	O Ring $\phi 12.42 \times \phi 1.78$
11	020504045	Valve Body
12	050100093	Cylinder
13	30290354	Hose Assembly
14	30420051	Safety Pin
15	0210001	Chain/Tether
16	040332	Pressure Gauge
17	020601096	O Ring $\phi 12.42 \times \phi 1.78$
18	0220148	Valve Stem Assembly
19	020603009	O Ring $\phi 33.63 \times \phi 3.53$
20	020701040	Spring
21	0234004	Ring Nut
22	020603012	O Ring $\phi 18.77 \times \phi 1.78$
23	30310307	Dip Tube Assembly
24	2012029	Anti-overfill Tube
25	30920359	Spray Rod Assembly
26	071118	Strap X2
27	30220013	Hose Catch X2
28	10010194	Deionized Water Charge (Conductivity $\leq 1\mu\text{s/cm}$)

VICTORY FIRE SPARE PARTS

WATER MIST

Model WM6L



No.	Product Code	Description
1	0714025	Seal
2	0202118	Lever
3	0204029	Rivet $\phi 4 \times 25.5\text{mm}$
4	0204057	Rivet $\phi 4 \times 24.5\text{mm}$
5	0203089	Carry Handle
6	070200010	Bracket
7	070200007	Bracket
8	0715038	Screw
9	0715037	Hanging Loop
10	020601096	O Ring $\phi 12.42 \times \phi 1.78$
11	020504045	Valve Body
12	050100242	Cylinder
13	30290354	Hose Assembly
14	30420051	Safety Pin
15	0210001	Chain/Tether
16	040332	Pressure Gauge
17	020601096	O Ring $\phi 12.42 \times \phi 1.78$
18	0220148	Valve Stem Assembly
19	020603009	O Ring $\phi 33.63 \times \phi 3.53$
20	020701040	Spring
21	0234004	Ring Nut
22	020603012	O Ring $\phi 18.77 \times \phi 1.78$
23	30310308	Dip Tube Assembly
24	2012029	Anti-overfill Tube
25	30920359	Spray Rod Assembly
26	071118	Strap X2
27	30220013	Hose Catch X2
28	10010194	Deionized Water Charge (Conductivity $\leq 1\mu\text{s/cm}$)