



VICTORY FIRE & GAS INC.

www.victoryfiregas.com
info@victoryfiregas.com

Michigan Corporate Office
1713 Lewis St
Bay City MI 48706
989.322.0856

Texas
15550 West Hardy
Houston TX 77060
281.405.0175

Illinois
162 N.Brandon Dr.
Glendale Heights IL 60139
312.965.2697

Northern CA
2214 American Ave
Hayward CA 94545
510.861.5311

Pennsylvania
30 Three Tun Rd, Unit C
Malvern PA 19335
267.963.6411

Southern CA
14841 Proctor Ave Unit C
City of Industry CA 91746
626.333.3033

Florida
5182 Le Tourneau Circle
Tampa FL 33610
813.999.4424

Georgia
3968 Shirley Drive
Atlanta GA 30336
770.283.4780

CANADA BC
104-1772 Broadway St.
Port Coquitlam, BC V3C2M8
778-222-6765

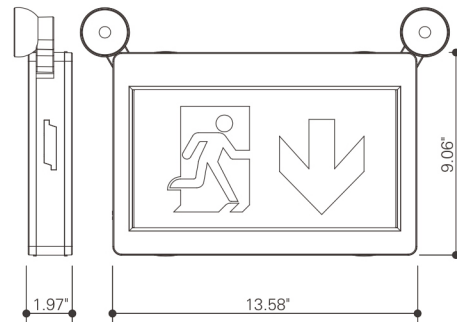
CANADA Toronto ON
1104 Fewster Drive Unit 12 & 13
Mississauga ON L4W2V7
416-898-6390

LED EMERGENCY RUNNING MAN SIGN/COMBO



Features:

- Injection-molded thermoplastic ABS housing, UL 94V-0 flame rating.
- Innovative, easy installation in minutes.
- Easy replacement pictogram design.
- Single or double face(Universal)
- Universal J-box mounting pattern.
- 120V/347VAC Dual voltage operation.
- 2x1.2W LED lamp heads(for combo only)
- Built-in 3.6V Nickel cadmium battery for minimum 90 minutes emergency operation.
- Maximum 24 hours for full recharge time.
- Test switch and charge indicator.
- cULus listed.
- 0° to 40°C indoor damp location listed.
- Five years warranty for the electrical parts and housing.
- Three years warranty for battery.



Ordering information

Model No.	Packing information	Options
JRMECW	16.14x14.60x9.90in/6pcs 26.46LB	