



**VICTORY FIRE & GAS INC.**  
 www.victoryfiregas.com  
 info@victoryfiregas.com

**Michigan Corporate Office**  
 1713 Lewis St  
 Bay City MI 48706  
 989.322.0856

**Texas**  
 15550 West Hardy  
 Houston TX 77060  
 281.405.0175

**Illinois**  
 162 N.Brandon Dr.  
 Glendale Heights IL 60139  
 312.965.2697

**Northern CA**  
 2214 American Ave  
 Hayward CA 94545  
 510.861.5311

**Pennsylvania**  
 30 Three Tun Rd, Unit C  
 Malvern PA19335  
 267.963.6411

**Southern CA**  
 14841 Proctor Ave Unit C  
 City of Industry CA 91746  
 626.333.3033

**Florida**  
 5182 Le Tourneau Circle  
 Tampa FL 33610  
 813.999.4424

**Georgia**  
 3968 Shirley Drive  
 Atlanta GA 30336  
 770.283.4780

**CANADA BC**  
 104-1772 Broadway St.  
 Port Coquitlam, BC V3C2M8  
 778-222-6765

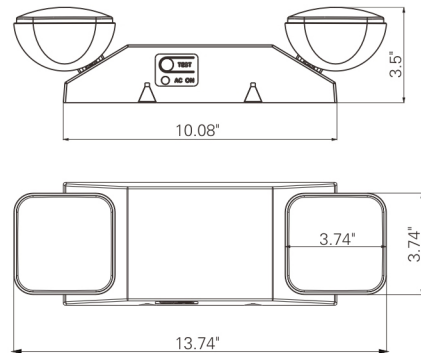
**CANADA Toronto ON**  
 1104 Fewster Drive Unit 12 & 13  
 Mississauga ON L4W2V7  
 416-898-6390

## DUAL HEAD EMERGENCY LIGHT



### Features:

- Injection-molded thermoplastic ABS housing, UL 94V-0 flame rating.
- Innovative, easy installation in minutes.
- Suitable for wall mount applications.
- Universal J-box mounting pattern.
- 120V/277VAC Dual voltage operation.
- 2X12pcs ultra bright 2835 SMT LED lamp heads for emergency mode. (JLEU9)
- Built-in 3.6V1000mAh Nickel cadmium battery for minimum 90 minutes emergency operation. (JLEU9)
- Maximum 24 hours for full recharge time.
- Test switch and charge indicator.
- UL and cULus listed.
- 0° to 40° C indoor damp location listed.
- Five years warranty for the electrical parts and housing.
- Three years warranty for battery.



### Ordering information

Model No.	Packing information	Options
JLEU9	16.14x13.00x9.25in/6pcs 9.50LB	Housing Color: White/Black